

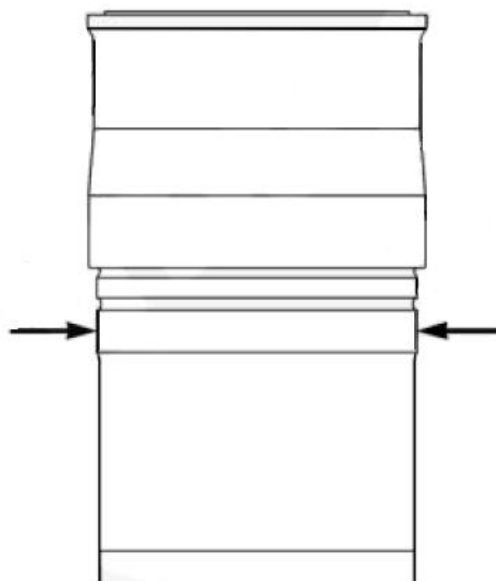
## CUMMINS® ISX/QSX LINER IDENTIFICATION

There are FIVE different type/size liners available for the ISX/QSX engines. YOU CANNOT MIX DIFFERENT TYPE/SIZE LINERS IN THE SAME BLOCK. The chart below will help you identify the type of liner you may have but you will have to measure the outside diameter of the liner to determine the correct one for your particular application.

In January 2010, a new cylinder block was introduced into production and could have either a 150MM or 152MM liner. YOU MUST CHECK THE DIAMETER OF THE LINER BEFORE ORDERING PARTS.

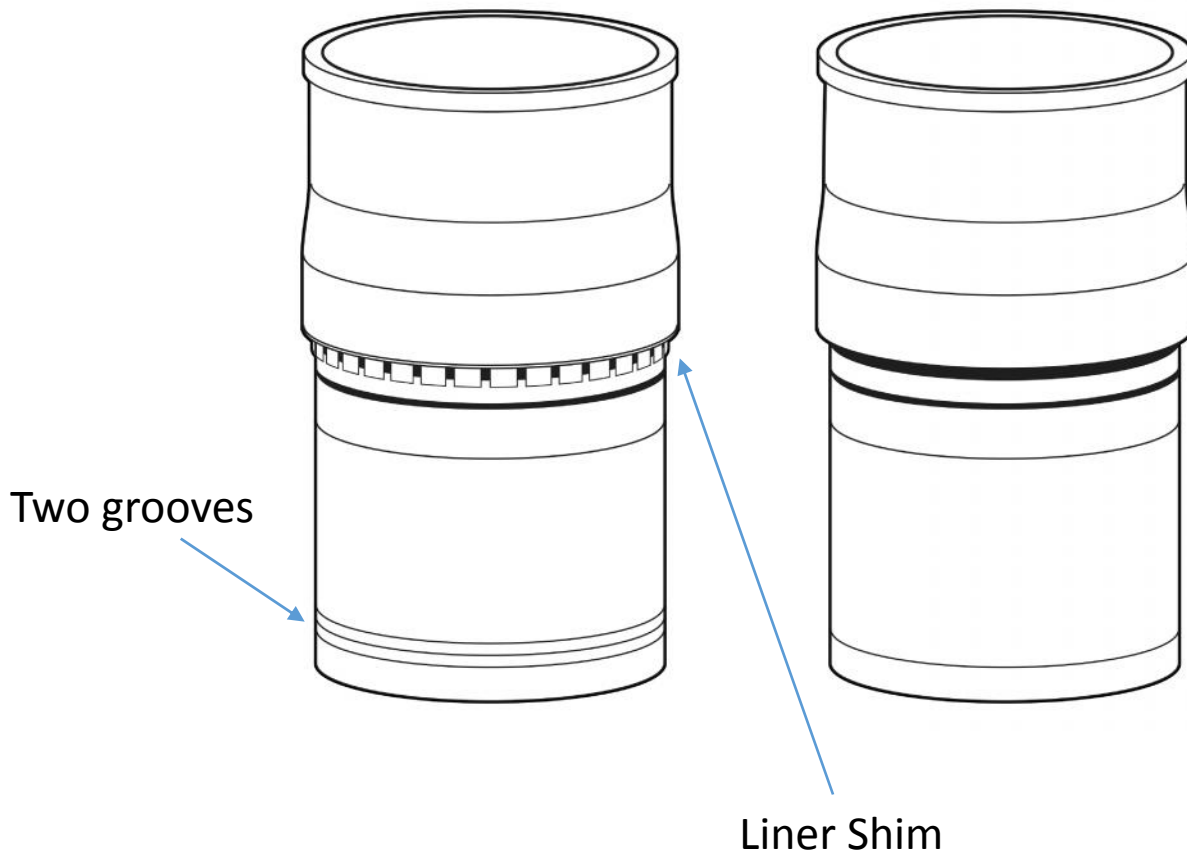
	Antipolishing Ring Liner	Cylinder Liner Outside Diameter	Liner Midstop Shim	Flat Top or Groove Top	Identification Band Machined Around the Bottom Outside Diameter of Liner
1	Yes	150 mm [5.906 inch]	Captive Shim	Flat Top	2
2	Yes	152 mm [5.984 inch]	Service Shim	Flat Top	2
3	No	150 mm [5.906 inch]	Captive Shim	Flat Top	1
4	No	152 mm [5.984 inch]	Service Shim	Flat Top	1
5	No	150 mm [5.906 inch]	No Shim	Groove Top	0

To help identify which liner your particular engine has, the liner must be measured at the O-ring packing area (shown with the arrows in the image below) THIS AREA SHOULD MEASURE EITHER 150MM or 152MM.



## CUMMINS® ISX/QSX LINER IDENTIFICATION (cont.)

Cummins also introduced a new design piston and liner combination using an “Anti-polishing” ring design. This design also has two different liner configurations – one with a shim and one without a shim. To correctly identify this design, refer to the image below. The Anti-polishing Ring liner that originally came with shims, will have two grooves at the bottom of the liner. Liners with one groove at the bottom did not come with shims and cannot be used to replace liners that came with the shims. Once the shim is removed from the liner, you cannot re-use the shim. A new shim must be installed.



Contact your AFA Representative or our Customer Service Department for more information.

Consult the engine manufacturer’s specifications for the correct Cylinder Liner Protrusion height.



World Headquarters  
140 East Pond Drive  
Romeo, Michigan 48065 USA

(586) 752-2900  
[www.AFAindustries.com](http://www.AFAindustries.com)  
[Sales@AFAindustries.com](mailto:Sales@AFAindustries.com)

West Coast Distribution Center  
Whittier, California U.S.A.

Latin America  
Saltillo, Mexico

Asia Pacific  
Gympie, Queensland, Australia

Middle East  
Beirut, Lebanon

Cummins® is the Registered Trademark of Cummins Corporation, Navistar® is the Registered Trademark of Navistar Corporation, Detroit Diesel® is the Registered Trademark of Detroit Diesel Corporation, Caterpillar® and Cat are the Registered Trademarks of Caterpillar, Inc.