

Detroit Diesel® has designed a new piston for use in current and older model Series 60® 14L engines. This new piston has a longer skirt and a new design Top Ring and 2nd compression ring and ring land.

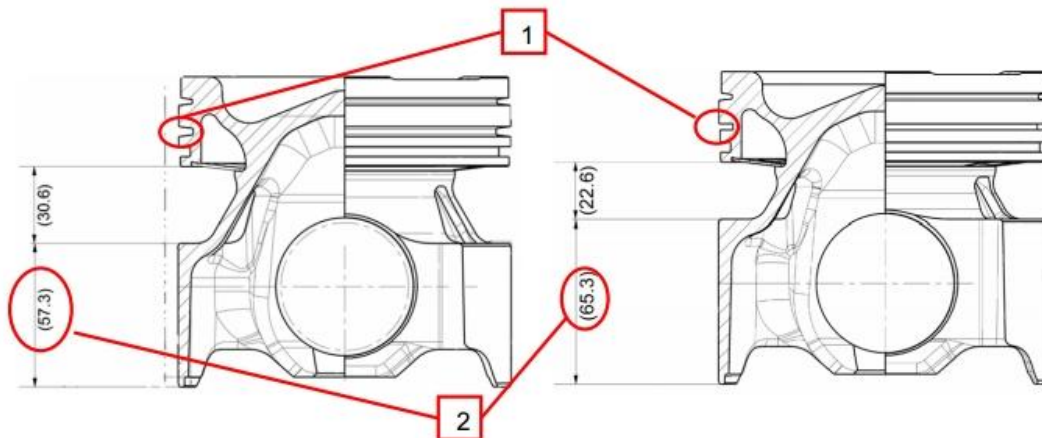
The new piston (**P/N: 23537126**) has a skirt length of 65.3 mm compared to the old piston (**P/N: 23533282**) skirt of 57.3 mm. See highlight #2 in the illustration below.

The new piston is heavier than the old piston and **CANNOT BE MIXED** in an engine. You must use either all new design pistons or all older design pistons in the engine to insure no vibration or failures. You must also use the correct piston ring set designed for the specific piston.

The Top Ring has been redesigned with a new material for better durability.

The 2nd compression ring has been changed from a keystone design to a rectangular design. See highlight #1 in the illustration below.

A new ring set part number has been created to service the new piston design (**D23537529**).



Old Piston P/N: 23533282

New Piston P/N: 23537126

1. 2nd compression ring change from keystone to rectangular
2. Increased skirt length from 57.3mm to 65.3mm

The old piston design has not been superseded to the new piston. The older style will remain a serviceable part. The pistons are not inter mixable in the same engine application due to weight differences. If the pistons were intermixed an engine vibration may result. Factory Remanufactured engines will come equipped with the new pistons installed.

AFA Industries has a complete offering of engine parts for Detroit Diesel® Series 50® & Series 60® engines to rebuild most everything on the engine. Also available are In-Frame and Complete Overhaul engine kits, Cylinder Components, Valve Train parts, Water and Oil pumps, Cooling System Components, Fuel System Components, and many other engine parts to help you repair most components for the Caterpillar®, Cummins®, Detroit Diesel® Navistar® engines.

Contact your local sales representative or AFA Certified Distributor for more information.

BUL0051